

Alpha-Thermostat Wireless 868 MHz Comfort AR 4070 KF2

The Alpha-Thermostat Wireless 868 MHz Comfort is a thermostat which, in combination with the Alpha-Basis Wireless as receiver and the OEM-Actuator 24 V as valve controller, offers individual room temperature control.

The system components of the Alpha-Thermostat Wireless are made with modern, safe, and intelligent 868 MHz technology that provides greater range with less interference.

The fine selection of the temperature dial is precise to ¼ degree steps. With a switch-ball, the operating mode can be set to DAY, NIGHT, or AUTO.

The installation allows for individual placement choice through the simple plug-in system of the Mounting Base.



Features

Alpha-Thermostat Wireless

- Wireless communication between the Alpha-Basis and Alpha-Thermostat
- 868 MHz technology
- Temperature dial with ¼ degree soft setting
- Operating mode selector switch (Switch-ball)
- Limitation of set temperature range
- Precise control response
- Functional design
- Cable free, battery operation
- Simple installation concept
- Cooling function is provided (for use with the HK Module of the Alpha-Basis)

Alpha-System Wireless

- Receiver and transmitter function on 868 MHz band
- Protective functions in case of a failure of a Wireless Thermostat, e.g. weak battery (frost protection mode)
- Automatic release of the first-open function after start-up
- Error display in case of missing radio signal, weak battery, or weak reception signal
- Display for function control
- Radio transmission test for transmitter and receiver for assisting in the start-up installation
- Appropriate for use in 2-line HK installations, with heating/cooling extension module AB HK 4000

Applications

- Single room temperature control ideally suited for panel, radiator, and convector heating systems.
- The advantage of cable-free system is the high flexibility provided for new buildings, as well as modernisation projects. The installation is simple since there is no need for laying cables.
- Heating and cooling with a single system when combined with the HK Module of the Alpha-Basis. Single room temperature control ideally suited for panel heating applications, such as minimum floor temperature (e.g. bathrooms)

General information

Type

AR 4070 KF2 – Version Wireless Comfort

Scope of supply

1 x Alpha-Thermostat AR 4070 KF2
1 x Wireless Mounting Base
1 x Battery (CR2032, 3 V)
1 x User Manual

Versions of the Wireless System 868 MHz

AR 4070 SF2 – Version Wireless Standard
AR 4070 KF2E – Version Wireless Comfort with external sensor

Ordering information

Our staff will be glad to assist you in finding the Alpha-Thermostat fitting your application. Call us at: +49 (0) 53 41 - 84 75 - 0

Functions

The Alpha-Thermostat Wireless 868 MHz Comfort provides individual room temperature control. Through a battery operated wireless transmitter, it transmits operation mode, current room temperature, and desired temperature to the Alpha-Basis Wireless 868 MHz for heating circuit control.

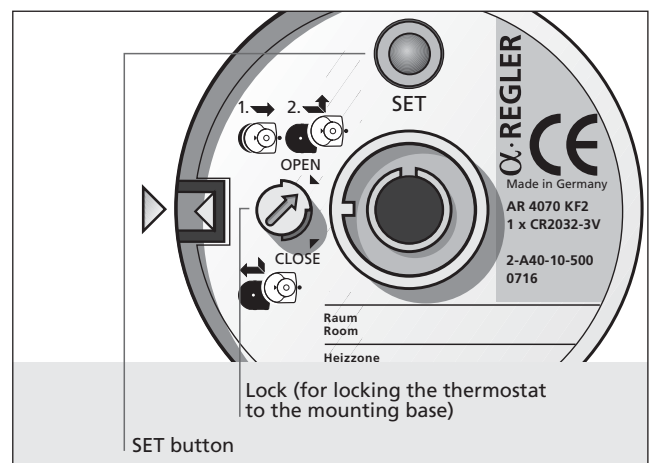
The preset coding of the Alpha-Thermostat Wireless guarantees an exclusive communication with the defined channel of the Alpha-Basis Wireless.

The Alpha-Thermostat Wireless provides maximal comfort for an individual room thermostat and helps save energy when combined with the Alpha-Basis Timer Module.

Selector switch

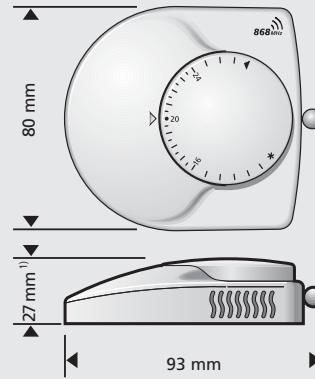
The desired operating mode can be selected with the selector switch. The operating modes "DAY" (sun symbol), "NIGHT" (moon symbol, e. g. for night operation) and "AUTOMATIC" (clock symbol) are available.

Control panel



Technical data

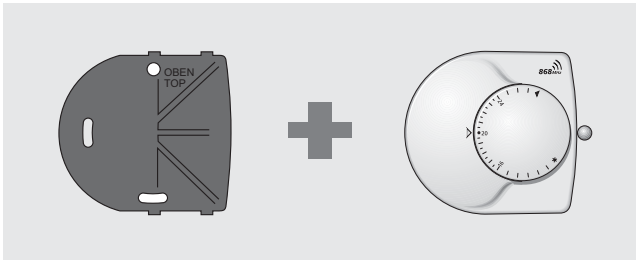
Type	AR 4070 KF2
Settable temperature range	10°C – 28°C
Battery type	CR 20323 V
Battery service life	approx. 5 years
Switch-ball	DAY, NIGHT, AUTOMATIC
Temperature measurement	max. deviation 1 K
Radiated power	< 10 mW
Transmitting interval	9 – 10 min
Ambient temperature	0°C to 50°C
Storage temperature range	-25°C to +60°C
Relative humidity	max. 80%, not condensing
Dimensions (mm) H / W / L	80 / 84 / 27
Alpha-System Wireless	
Transmission frequency	868 MHz
Range inside buildings	approx. 30 m.
Radio test according to	ETS 300220-3
EMC conformity according to	EN 301489-3
Hunting	approx. 0.2 K
Valve protection function	6 min / 24 h
Heating programs (optional)	2
Temperature difference for reduced operation in energy-saving mode	2 K (can be configured in a range of 2- 6 K in increments of 0.1 K with RC Inspector)



¹⁾ with Alpha Mountingbase + 3mm

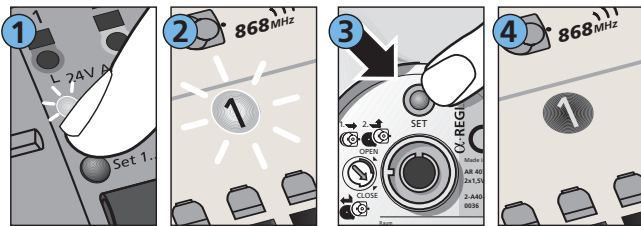
Planning and installation notes

Installation note



Installation and electric connection are only possible using the Wireless Mounting Base. The Wireless Mounting Base is included in the scope of supply and does not need to be ordered separately.

Assigning zones



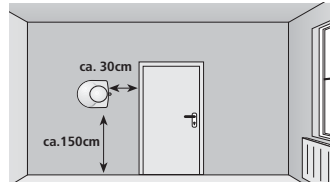
1 Press SET button for 3 seconds

2 When the LED of channel 1 flashes quickly (every 0.15 sec.), release SET button (LED will flash for 3 minutes).

3 The desired thermostat (room) is assigned to the channel of the Alpha-Basis by briefly pressing the SET button on the Alpha-Thermostat Wireless within three minutes.

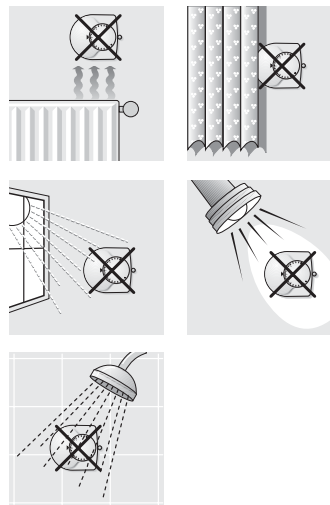
4 The LED stops flashing when the assignment is complete. Press SET button several times if required.

Recommended installation place



Note!

In order to ensure a trouble-free and thus optimum control operation, a thermostat with a remote sensor should be installed in a quiet zone - free from environment influence such as humidity, direct sunlight exposure or other sources of heat. Otherwise it may occur that the set temperature is exceeded or not achieved, depending on the respective environment influence.



Example of Allocation:

